

Solution 144

The Integrated Access Control & Alarm System made for your business

The Solution 144 Integrated Access Control & Alarm System offers an extensive feature listing including integrated proximity, numerous wire free options, high speed windows programming software and the simplest user - installer interface on the market today.



BOSCH
Invented for life



Solution 144 – Your business security solution

You have a responsibility to your staff and your business to protect them. Should a burglary or other incident occur, the loss is not just the items destroyed or stolen – it's the loss of comfort and security that your workplace once provided. The Solution 144 from Bosch Security Systems provides you with an expandable solution that can be tailored to fit your business perfectly. This integrated access control and alarm system combines an impressive array of alarm functionality with the access control capabilities you've always needed. With future focused technology and the ability to adapt to your changing needs and work environment, Bosch have eliminated the complexities of finding the right security solution for your business. Look no further than the Solution 144 to unlock the access and alarm solution that your business has been looking for.



Expandable to suit your business needs

Every business is different, and the Solution 144 can adapt to any requirements. It is capable of providing simple cost effective solutions for mid-sized businesses, yet is powerful enough to handle 144 zones (detection devices), and even up to 16 access doors when fully expanded for large applications.

The Solution 144 has the ability to cater for up to 256 users, providing a perfect fit for most business users. With programmable authority levels, you determine which functions each staff member can perform: simple operations such as turning the system on and off, or accessing restricted areas. Customised security has never been so simple.

If a user is enabled for door access, presenting a token or access card to an internal or external proximity reader will provide entry, which can be monitored and reported by the system.



Integrated Access Control

Access Control is no longer reserved only for larger more expensive systems. The Solution 144 incorporates proximity technology from Bosch, providing an affordable and effective solution for integrated access control for up to 16 access doors or proximity readers - ideal for mid-sized commercial installations. Compatible proximity readers incorporate entry/exit and lock control built-in, which reduces cost and simplifies installation.

Bosch provides you with a choice of access control user interfaces including internal or weatherproof external proximity readers, keypads with built-in proximity readers, or for a higher security option, biometric fingerprint readers.



Access Control Features

Comprehensive access control features including Holidays, Date / Time and Day of the Week Schedules allow you to easily manage your employee access and the arm/disarm functions of the security system. Up to 16 time zones can be set up, with each containing up to 4 time periods. Time zones can be used to automatically arm/disarm your security system at specific times, like automatically locking a reception door at 5pm, as well as controlling user access to doors such as the warehouse after 4pm, or to automatically control outputs, like gates that close automatically at 5.30pm.

Multiple Arming Options

The versatility of the Solution 144 is captured in its ability to provide the right arming option for any business. Up to 256 individual system users have the choice of arming and disarming using a unique PIN code (up to 8 digits long), a wireless remote, proximity card or token, biometric fingerprint or by using the Auto Arm function.

The flexibility of the Auto Arm Function enables you to program your system to automatically arm at pre-defined times. Programmed schedules can also extend to control the locking of gates or turning building lights on and off, providing a complete business solution.

Proximity tokens and cards are programmed with the user's access rights and can be presented to any reader to arm/disarm or enter a door.





Simple to use,
with plenty of
flexibility

Simple Operation

The standard Bosch keypad features a graphical user interface that incorporates a text-driven menu system. Colour coded, illuminated keys make it easy to operate your security system, day or night. Red and green indicators provide easy identification of Armed and Disarmed modes, and the built-in sounder provides audible feedback when operating the system.

An enhanced version of the Graphic Keypad incorporates a built-in proximity reader, allowing users to simply present their token to the keypad to arm/disarm and or unlock a door in one simple action.

Where required for external applications, like warehouse entry or main entrances, stainless steel weatherproof keypads are also available in slimline or standard fit, designed to complement any building facade.

Easy Remote Arming

The Solution 144 can be programmed to use a wireless remote that easily fits onto your keyring. These small remote controls allow you to arm and disarm your business premises by simply pressing one button.

The wireless remote can also be used to set the system in STAY mode, act as a portable panic button, and can even be used to switch lights and open factory gates & doors.

Flexibility

Solution 144 can be programmed to manage 144 zones that can be divided into 8 separately controlled areas. The 144 fully programmable intrusion zones can support sensors fitted to doors and windows, motion sensors and smoke detectors. When events are detected, the Solution 144 can sound sirens, transmit events to your monitoring service provider and activate lights, providing security you can rely on 24 hours a day.

Your Solution 144 can store up to 1000 events ie. arm/disarm functions and door access reports for each user, which can be viewed from the keypad by the master user. This way you can monitor the movements of your staff daily if required.

With 5 on-board outputs (expandable to 37), and one already preprogrammed for a roller shutter or garage door, your Solution 144 can cater for all your building automation requirements, including lighting, air conditioning, irrigation - just about anything that is controlled via a switch and can be programmed.

A wireless remote allows you to arm / disarm the building, and, if programmed, can be used as a panic button or building automation switch.



Reliable protection need not cost a fortune!

Protecting Your Assets

The Solution 144 provides the flexibility to divide your alarm system into a number of separately controllable areas including a common area (this can be a reception area, hallway, or underground carpark). It provides the flexibility for your staff to arm and disarm the areas that they have been given access to, without affecting other areas of your business. For your convenience the Solution 144 can be configured to use a single key pad for all areas, or individual key pads for each area.

Cost Effective Technology

State-of-the-art security technology has previously been unattainable for some due to prohibitive costs. Now, the Solution 144 eliminates this obstacle, thanks to its unrivalled price / performance ratio. The benefits begin with the installation stage itself, which is straightforward, inexpensive and, if you wish, wireless. Complex security installations are now a thing of the past.

High Speed, High Security

The security system communicates with other system modules via the built-in high speed connection (RS485 LAN), and for increased security, uses high level encryption. In this way, devices can be placed up to 1.2km from the control panel itself, making the system extremely flexible when dealing with large buildings or multiple buildings, like separate warehouses.



The GSM/GPRS and Ethernet options provide a high security communications path backup to phone line reporting, or can be used as the primary reporting path where VOIP or digital communications are used in the building.

24 Hour Protection

The Solution 144's chime mode allows you to audibly monitor a zone or group of zones, such as business entry doors for customer entry during business hours or entry into storage areas while your system is disarmed. The chime mode feature is extremely useful for monitoring driveways and fire doors too. This fully automatic self testing unit allows you to forget the system is there, while knowing you are still protected.

Versatility

The Solution 144 offers you a wide choice of features and options, which coupled with the vast range of accessories available from Bosch Security Systems, ensures a system can be designed to suit your specific needs. Whether your office space is large or small, Bosch Security has a solution for you.



Main features of the system:

- ▶ Integrated access and alarm
- ▶ 16 access doors or LAN readers
- ▶ Up to 144 zones & 256 users
- ▶ Full text menu display for programming & user control
- ▶ Proximity, biometric and external readers, with external keypad options
- ▶ Supported communication formats include Conettix IP, GSM, SMS, Email, CID, GPRS, CSV
IP, SIA 3+ Text, Voice and Domestic Dial
- ▶ SMS via Bosch GSM & SMS panel control ie. arm, disarm
- ▶ Up to 37 outputs available with one on-board dedicated relay programmed for roller doors

Key Accessories



Detectors

ISC-BPR2-W12

Blue Line Gen2 PIR 12m

ISC-BPQ2-W12

Blue Line Gen2 Quad 12m

ISC-BLD2-WP12G

Blue Line Gen2 Pet Immune TriTech 12m



ISC-PPR1-W16

Professional Series PIR 16x21m

ISC-PDL1-W18G

Professional Series TriTech 18x25m

ISC-PPR1-WA16G

Professional Series PIR AntiMask 16x21m

ISC-PDL1-WA18G

Professional Series TriTech AntiMask
18x25m

ISC-PDL1-WC30G

Professional Series Curtain 30x2.6m



Wireless Detectors

RF940E

RF PIR 12m 433MHz



RF835E

RF TriTech 11m 433MHz



Request-to-Exit Sensors

DS150i

Request to Exit Sensor



DS160i

Request to Exit Sensor,
High Security



Glass Break Sensors

DS1101i

Glass Break sensor



Break Glass Switch

DWS100

Break Glass Switch DPDT
Emergency Door Release

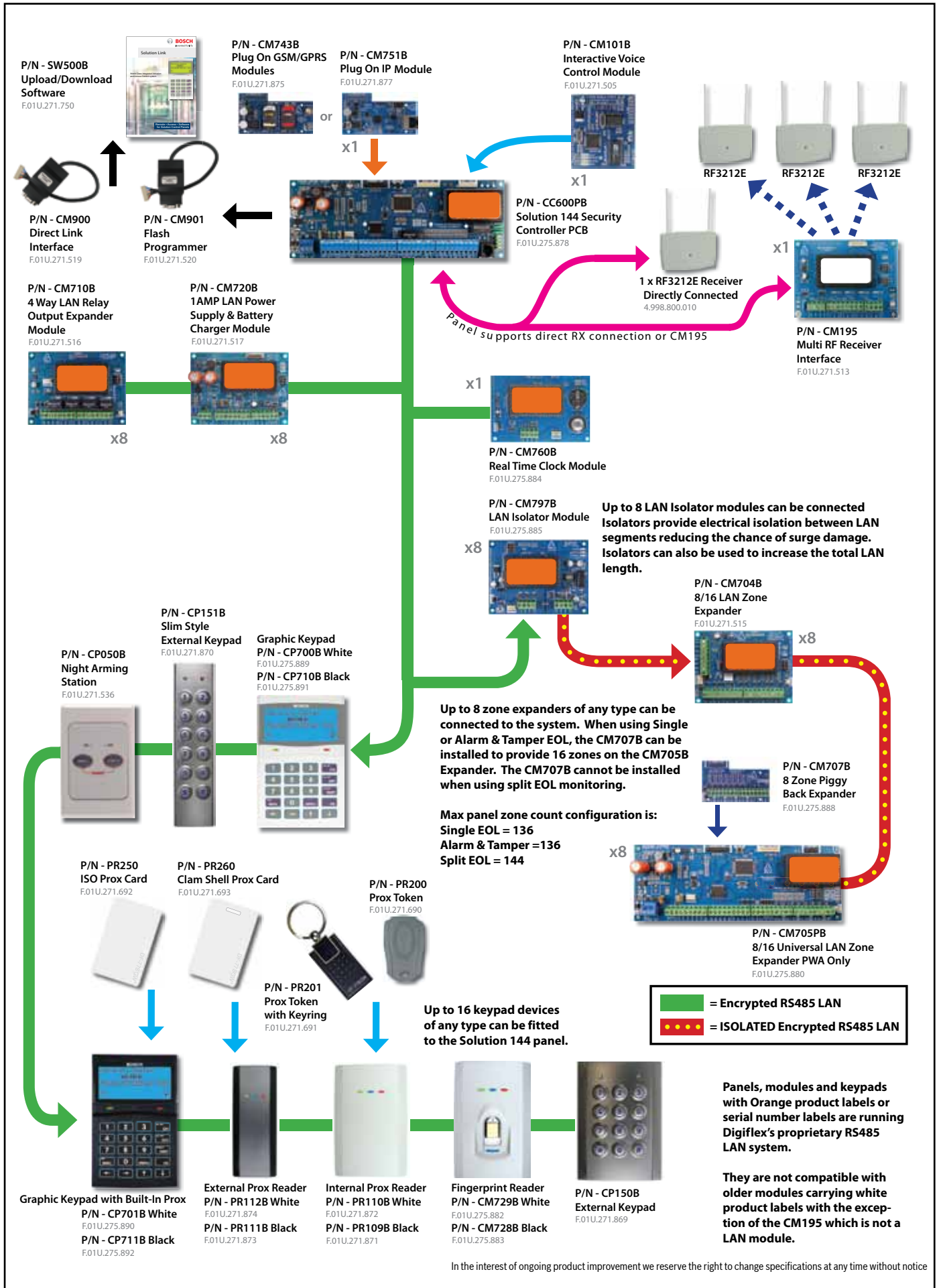


Remote Controls

RF3334E

4 Button Keyfob transmitter
433MHz

Product Matrix



A Tradition of Quality and Innovation

For over 125 years, the Bosch name has stood for quality and reliability. Bosch is the global supplier of choice for innovative technology, backed by the highest standards for service and support.



Bosch Security Systems proudly offers a wide range of security, safety, communications and sound solutions that are relied upon every day in applications around the world, from government facilities and public venues to businesses, schools and homes. When you need solutions you can rely on, choose Bosch.

Bosch Security Systems Pty Ltd

For more information please visit
www.boschsecurity.com.au
or email us at stsales@au.bosch.com

© Bosch Security Systems 2012
Modifications Reserved
Printed in Australia 10|12